

Moline Vertical Stamping Unit



A versatile and efficient cutting system designed to cut elaborate product shapes or cut product to length at high speed.



- Accommodates conveyor widths of 24" to 60".
- Stamping dies can be easily changed to vary product shapes.
- Guillotine blade also available to cut product to length.
- Operator interface provides an easy-to-use touch screen for operating adjustments.
- Maximum Cycle Rate: Call Moline Engineering for details.

The Moline vertical stamping unit has been installed in progressive, high-volume bakeries throughout the industry, providing durable and efficient production. The unit is designed to cut various product shapes out of the dough sheet using a stamping die. The "walking" action of the stamper allows the product to be cut as the dough sheet moves through the machine on the conveyor. Production rates are high with very little trim dough generated due to the "nested" layout of the stamping die cutters.

Stamping dies are easily interchangeable to vary product shape as needed. The dough is stripped from the cutters

when they retract, thus creating the stamped product. Cutting depth, stamping speed and cut length are easily adjustable.

A guillotine blade is also available to cut product to length.

The stamper can be purchased with a servo option which provides precise control with rapid acceleration and deceleration profiles for high capacity lines.

An operator interface panel provides an easy-to-use touch screen for stamper adjustments.



Moline Machinery LLC

114 South Central Avenue • Duluth, Minnesota, USA, 55807
218-624-5734 • www.moline.com • sales@moline.com



Moline Vertical Stamping Unit

Stamper Features

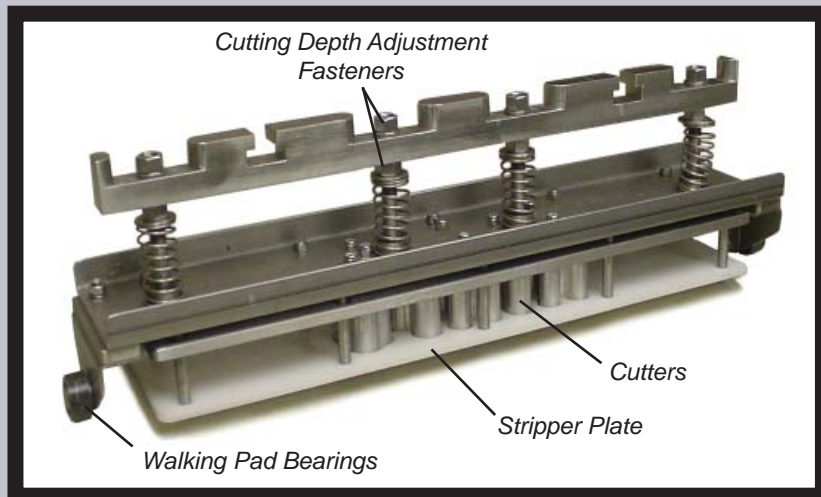
- **Construction:**
Heavy-gauge stainless steel construction. Precision machined components.
- **Guards and Covers:**
Safety interlocked guards prevent access to the die during operation. Doors on both ends of the stamper provide access to interior components and linkage.
- **Control Functions:**
Speeds are easily adjusted via the operator interface, or in some cases with a mechanical control knob located on the stamper cabinet.
- **Drive System:**
Servo or variable frequency drive systems are available depending on product requirements.



Stamping Die Installed in the Stamper

Stamping Dies

- **Cutting Pattern Layout and Width**
The stamping die cutting pattern layout and width vary depending upon customer specifications.
- **Cutting Depth**
Cutting depth adjustment fasteners allow easy depth adjustment per product specifications.
- **Easily Interchangeable**
The dies are easily interchangeable to vary product shape and size.



Typical Stamping Die