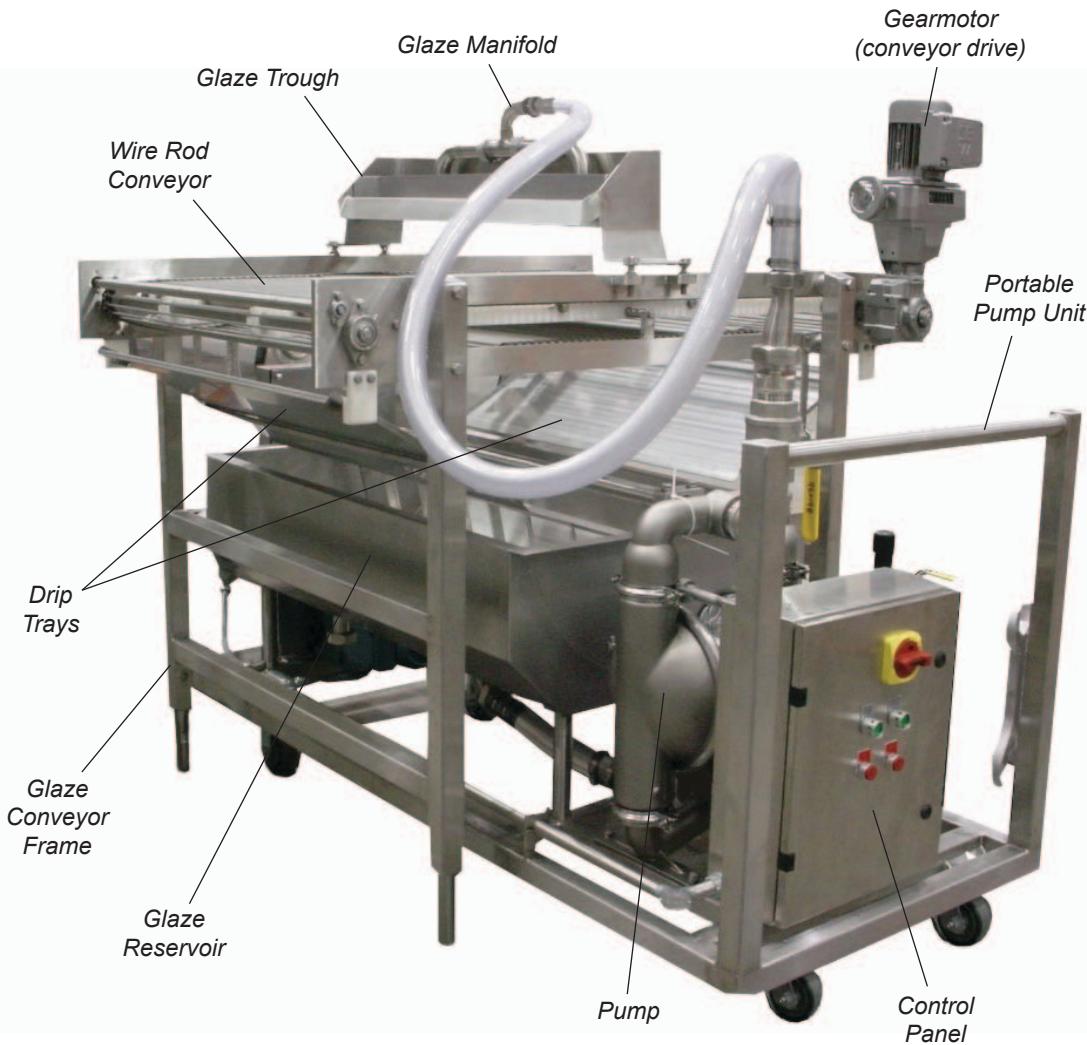


Moline Glazer



High capacity and uniform glaze coverage with efficient reclaim.



- **Designed for systems 24" to 60" wide.**
- **Provides a waterfall of glaze for full, efficient product coverage.**
- **Glaze reclaim provides cost effective savings.**
- **High volume production capacity.**
- **Portable pump unit designed for versatile operation and efficient sanitation.**

The Moline glazer is designed for high-volume product glazing within a compact footprint. The unit contains two modules: the glaze conveyor and the portable pump unit.

The glaze conveyor consists of a glaze trough and manifold mounted over a wire rod conveyor belt. Product is conveyed through a continuous "waterfall" of heated glaze.

The portable pump unit is located below the glaze conveyor where excess glaze from the manifold and

trough is captured and returned to the glaze reservoir. Temperature and viscosity of the glaze is maintained by the heated water jacket surrounding the glaze reservoir. An agitator keeps the glaze homogenized as it is recirculated through the pump back to the manifold.

The glazed product is transferred via conveyor to the next piece of equipment in the system.

A control panel, mounted to the glaze pump unit provides simple and easy-to-use controls.



Moline Machinery LLC

114 South Central Avenue • Duluth, Minnesota, USA, 55807
218-624-5734 • www.moline.com • sales@moline.com



Moline Glazer

MACHINE FEATURES

Construction:

- Stainless steel construction with precision machined components.
- Stainless steel wire-rod conveyor belting.
- Air diaphragm glaze pump.
- Pump unit is mounted on casters for portability.

Control Functions:

- A control panel is mounted to the pump unit and provides simple and easy-to-use controls.

Drive System:

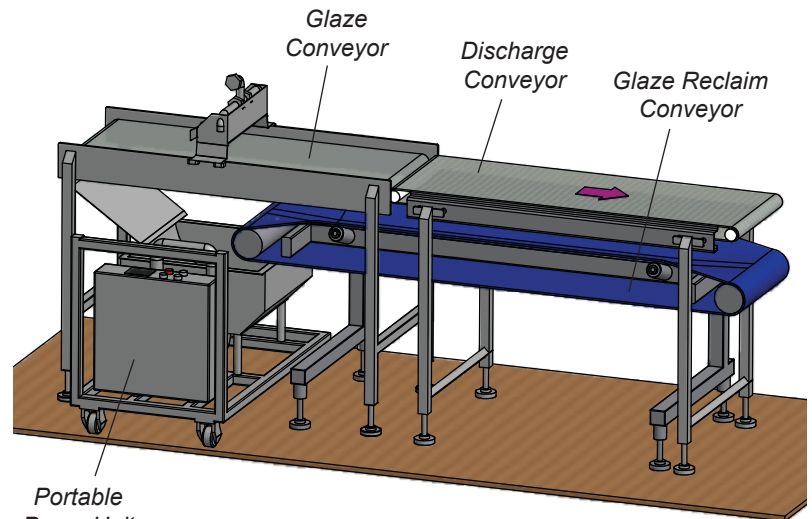
- Glaze conveyor drive motor and gear reducer or gearmotor.

Electrical:

- Electrical Requirements: 480 Volt, 60 Hertz, 3 Phase (other options available).
- 5000 watt heating element for thermostatically controlled immersion heater on glaze reservoir.
- NEMA 4 control panel.

Capacities:

- Typical Glaze Reservoir: 15 gallons (57 liters)
- Typical Glaze Reservoir Water Jacket: 16 gallons (61 liters).



Glazer With Reclaim Conveyor

