

Moline Single-Roll Cross Sheeter



Provides high-speed cross sheeting of thick and/or laminated doughs.

- *Cross sheets thick, low-stress and laminated doughs to the desired thickness and width.*
- *Single-roll design provides fast and efficient sheeting.*
- *Servo control options are also available.*
- *For use on 24" to 60" wide systems.*



The Moline single-roll cross sheeter is designed to sheet thick doughs at high speed that have been formed by low stress equipment such as the Yoga dough former or the low stress dough former. The unit is also commonly used for laminated doughs containing several layers.

The single-roll design incorporates a UHMW polyethylene low friction reciprocating roller which pushes the dough outward to the desired width and thickness. Roller travel is driven by a gearmotor, pulleys and belt. Roller rotation is driven by a set

of spur and rack gears. Roller speed is controlled by the speed of the conveyor moving beneath the cross sheeter; if the conveyor speed is increased, roller speed increases.

The height of the roller is adjusted with a hand wheel mounted on top of the machine. The hand wheel activates the screw actuators which raise and lower the roller to the optimum height for dough processing.

Electronic sensors are used for roller positioning and precise operation.



Moline Machinery LLC

114 South Central Avenue • Duluth, Minnesota, USA, 55807
218-624-5734 (For after hours service, call 218-590-1987)
www.moline.com • sales@moline.com



Moline Single-Roll Cross Sheeter

Features

- **Construction:**
Heavy-gauge stainless steel construction with precision-machined components.

- **Activation and Adjustment:**
The cross sheeter is activated and adjusted through the production system's operator interface.

Roller speed is controlled by the speed of the conveyor moving beneath the roller.

Electronic sensors provide precise adjustment.

- **Roller Material:**
One UHMW polyethylene roller.

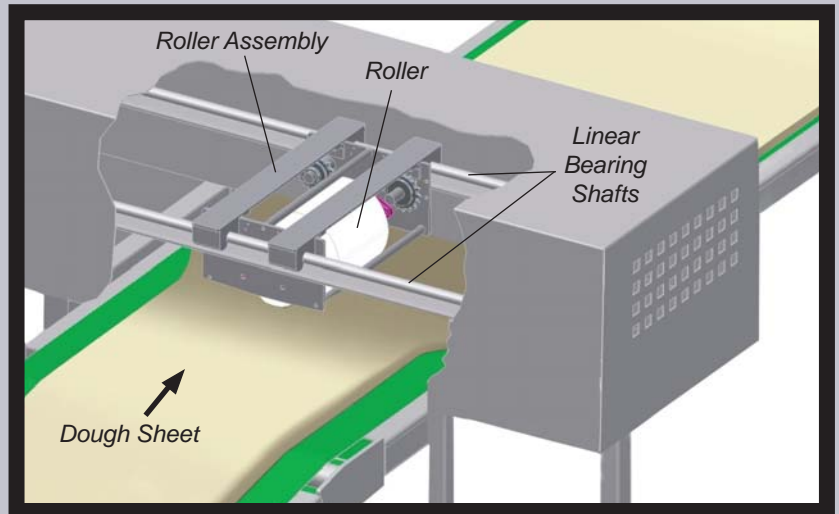
- **Roller Drive System:**
One drive motor and gear reducer for roller rotation and travel (servo options available).

- **Electrical System:**
240/480 volt, 60 cycle, 3 phase.
(Other voltages are also available).

- **Guards and Access Doors:**
Guards/access doors are safety interlocked to prevent access during operation. Lexan end guards allow observation of roller action.



Cross Sheeting the Dough Sheet



Cut-Away View of Cross Sheeting



Roller Assembly and Gearing

